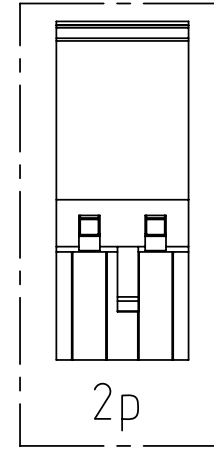
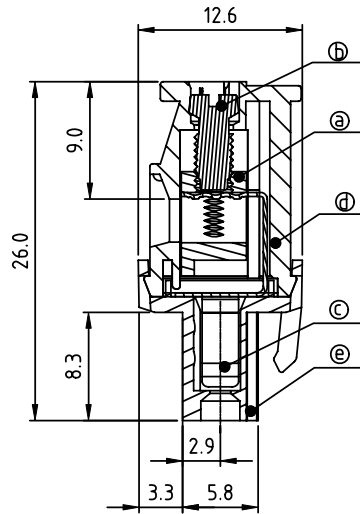
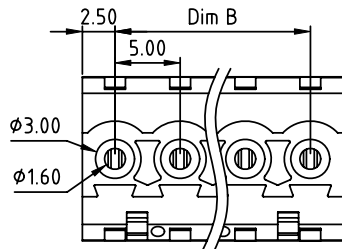
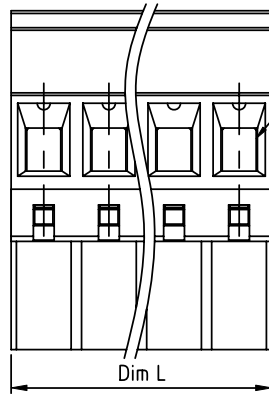
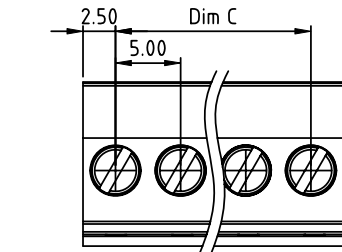


PRODUCT NUMBER	PITCH
TSxx71xB00J0G	5.00 mm



Material

- Item ③ Clamp: Brass(CuZn), Nickel plated
- Item ④ Terminal screw: Steel Zinc plating "-" slot type
- Item ⑤ Female contact: PhBz, Tin plated
- Item ⑥ Top body: Thermoplastic (UL94V-0)
- Item ⑦ Bottom body: Thermoplastic (UL94V-0)

Electrical cULus/VDE/TUV

- Voltage rating: 300VAC/300VAC/300VAC
- Current rating: 15A/17A/15A
- Wire range: 2.5mm<sup>2</sup>/0.34-2.5mm<sup>2</sup>
- Solid wire(AWG): 12-24
- Stranded wire(AWG): 12-24
- Torque: 3.5Lb-In./0.5Nm/0.4Nm
- Screw: M3
- Wire strip length: 6-7mm
- Withstanding Voltage: 1.6KV/2.5KV/2.5KV
- Operating temperature: -40°C to +115°C
- Safety approval:

DIMENSION  
N = Number of poles

Dim L	NX5.0
Dim B	(N-1)X5.0
Dim C	(N-1)X5.0
Poles	Tolerance
2p-6p	±0.15
7p-12p	±0.25
13p-18p	±0.30
19p-24p	±0.40

PART NO.: TS xx 71 x B 00J0 G

Solid block	0	Black (RAL9005)	RoHS compliant (lead<4%) In copper Alloy
No. of poles	2	Red (RAL3001/D)	
02 2 poles	3	Orange(RAL2011/P)	
03 3 poles	4	Yellow(RAL1018/A)	
...	...	5 Green(RAL6018/T)	
24 24 poles	6	Blue (RAL5015/A)	
	8	Grey(RAL7035/D)	
	9	White(RAL1102)	
	C	Green(RAL6018/U)	

mat'l. code	surface ASME Y14.5	tolerance ASME Y14.5	projection	product family TERMINAL BLOCK
ltr	ecn no	dr	date	title TERMINAL BLOCK
				PLUGGABLE PLUG,HOOK ON BACK SIDE,WITHOUT FLANGE
				scale
				dwg no sheet 1 of 1 size
				TSxx71xB00J0G A4
				type CUSTOMER Drawing
sheet index	revision	A		
	sheet	1		