

THIS DRAWING IS UNPUBLISHED. RELEASED FOR PUBLICATION  
 © COPYRIGHT BY TYCO ELECTRONICS CORPORATION. ALL RIGHTS RESERVED.

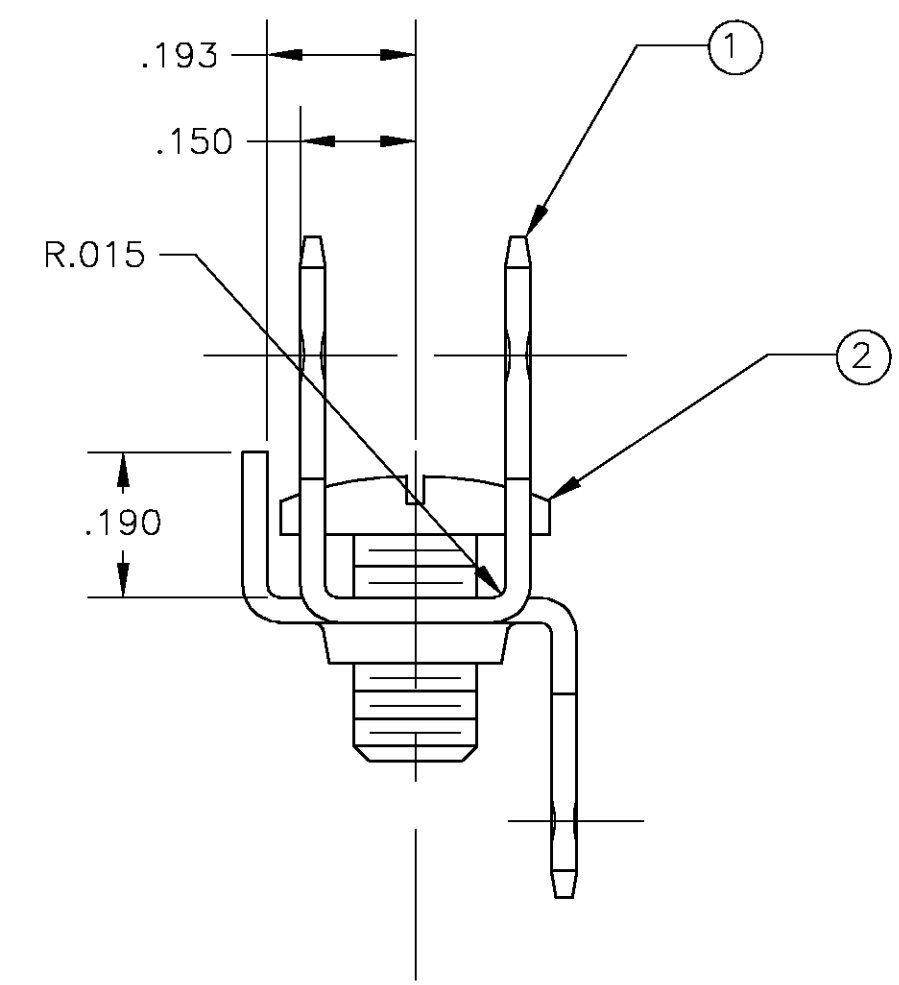
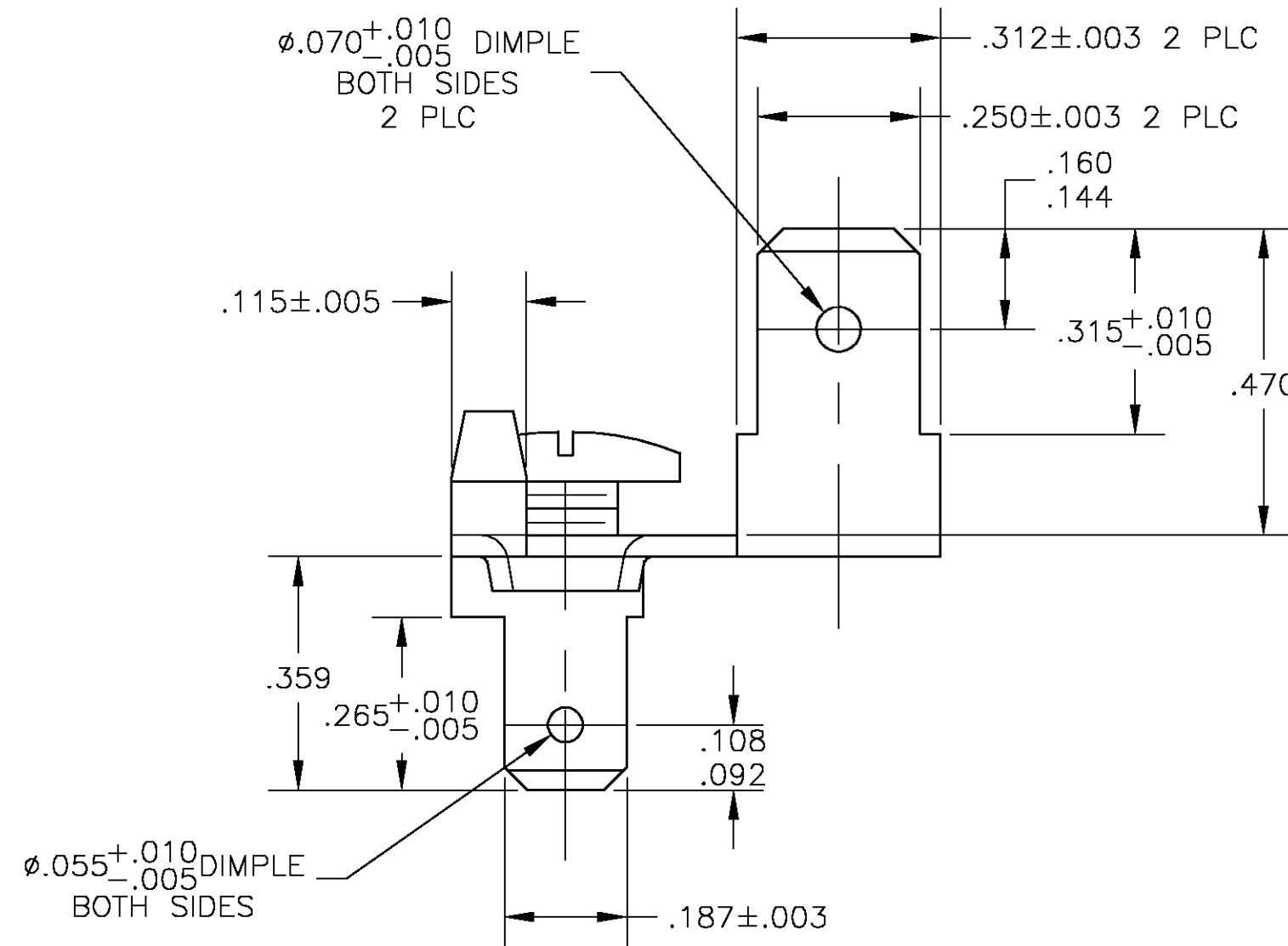
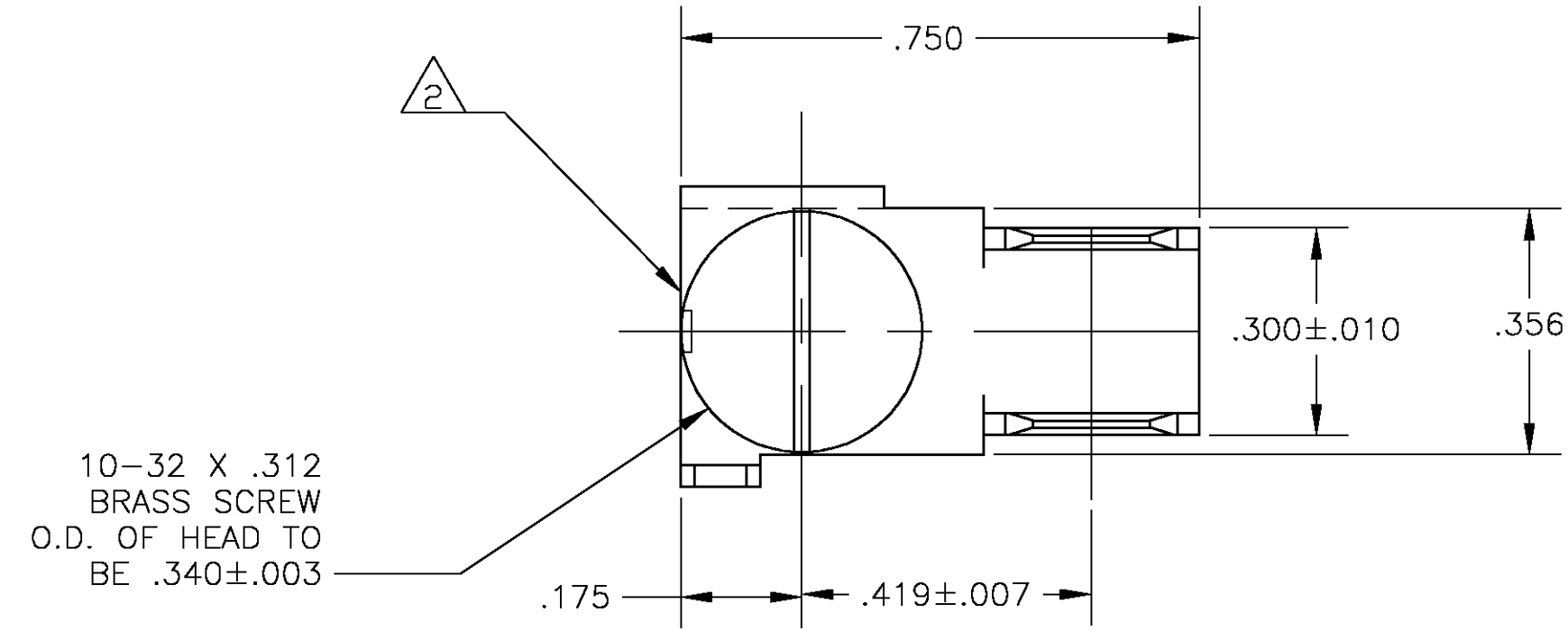
LOC	DIST	REVISIONS			
P	LTR	DESCRIPTION	DATE	DWN	APVD
AF	14				
	C1	REV PER ECR 05-002915	25MAY05	JR	KR

D

C

B

A



- 1 MATERIAL: .032±.001 THK BRASS, 100-86, HEAT TREAT 0.082
- 2 .010 MAX CUT-OFF ALLOWED
- 3 ASSEMBLY SCREW AND TORQUE 2-8 LB-IN
- 4 THREADS DEFORMED SO AS NOT TO ALLOW REMOVAL OF THE SCREW.
- 5 PART TO BE CLEAN AND OIL FREE
- 6 MATERIAL: BINDING HEAD .340 DIA, #10-32 .312 LONG. BRASS SCREW ( ELECTRICAL TAPE )
- 7 MATERIAL: BINDING HEAD .340 DIA, #10-32 .312 LONG. BRASS SCREW ( ELECTRICAL TAPE ) BRIGHT NICKEL FINISH

D

C

B

A

1	7	-	1	1	T20737542	FASTON TAB ASSEMBLY NICKEL PLATED BRASS SCREW	157727-2
-	-	1	6	1	T20737542	FASTON TAB ASSEMBLY BRASS SCREW	157727-1
SCREW 157423-2	(e)	SCREW 157423-1	(e)	FASTON TAB 157728-1	(1)	EMERSON P/N	DESCRIPTION
							PART NO.

THIS DRAWING IS A CONTROLLED DOCUMENT.

DWN	JR RUTH	25MAY05	 Tyco Electronics Corporation Harrisburg, Pa 17105-3608			
CHK	K RANDOLPH	26MAY05				
APVD	K RANDOLPH	26MAY05				
NAME	ASSEMBLY, TAB, FASTON, .250 AND 187 SERIES					
DIMENSIONS:	TOLERANCES UNLESS OTHERWISE SPECIFIED:		SIZE	CAGE CODE	DRAWING NO	RESTRICTED TO
INCHES	0 PLC ± - 1 PLC ± - 2 PLC ± - 3 PLC ± .005 4 PLC ± - ANGLES ± 1°		A2	00779	C=157727	-
MATERIAL	FINISH		WEIGHT	SCALE		SHEET
-	-		-	4:1	1	1
CUSTOMER DRAWING			SCALE	4:1	SHEET	1
			REV	C1		

157727