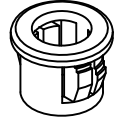


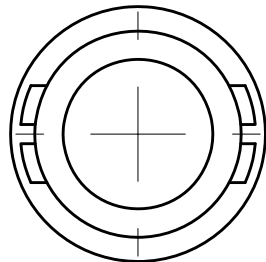
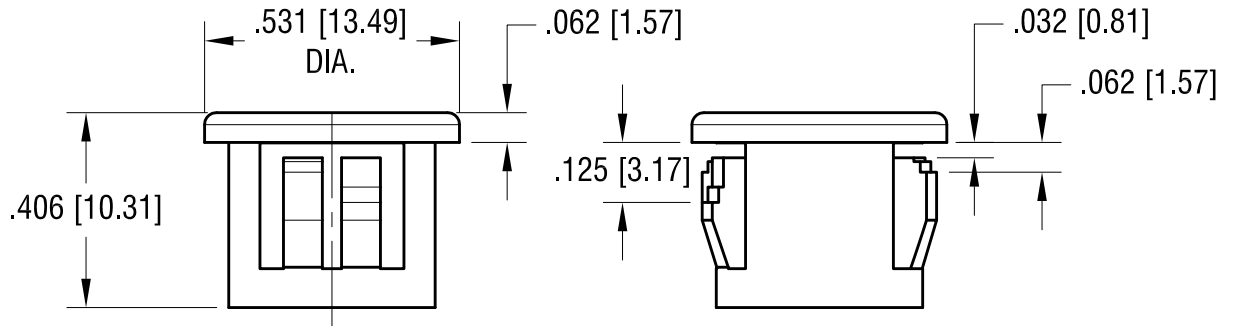
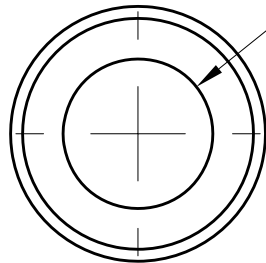
THIS DOCUMENT IS THE PROPERTY OF  
KEYSTONE ELECTRONICS CORP. AND  
SHALL NOT BE REPRODUCED, DISTRIBUTED  
OR USED AS A BASIS FOR MANUFACTURE  
WITHOUT PRIOR WRITTEN PERMISSION  
FROM KEYSTONE ELECTRONICS CORP.

ACTUAL SIZE



$+.030 [+0.76]$   
 $-.000 [-0.00]$   
 $\text{Ø}.312 [\text{Ø}7.92]$

CLEARANCE FOR WIRE



**KEYSTONE ELECTRONICS CORP.**

www.keyelco.com • ASTORIA, N.Y. 11105-2017 • Tel (718) 956-8900

PART NAME		NYLON INSULATING BUSHING	
MATERIAL		NYLON 6/6, BLACK UL 94V-2	
FINISH	-	DRN BY	BOONE
		APP'D	LN
		DATE	11.22.06
		SCALE	2.5X
TOLERANCES	INCH [MM]	CODE	DWG NO.
DECIMAL	$\pm .015$ [ $\pm 0.38$ ]	C	8473
ANGULAR	$\pm 1^\circ$		
UNLESS OTHERWISE SPECIFIED			

4.21.11	CHANGE AS PER ECR 11-056	A
DATE	DESCRIPTION	REV.