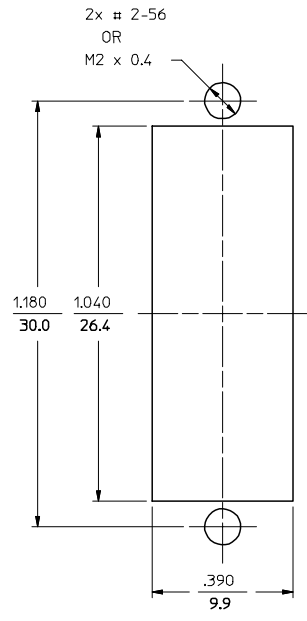
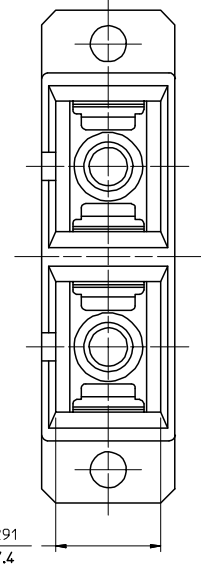
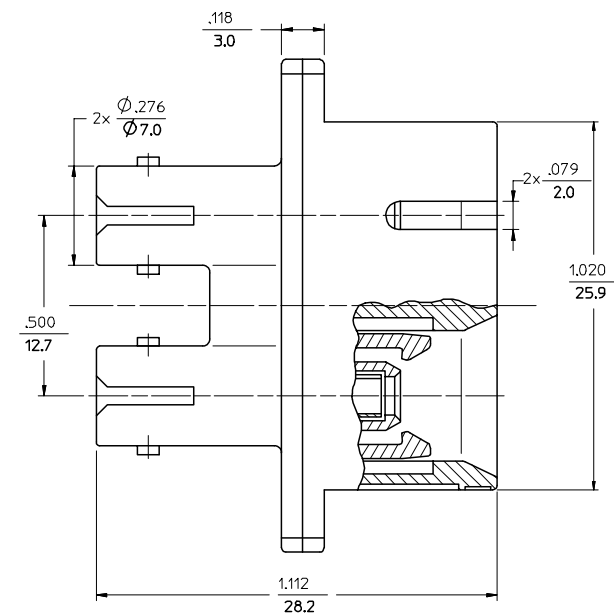
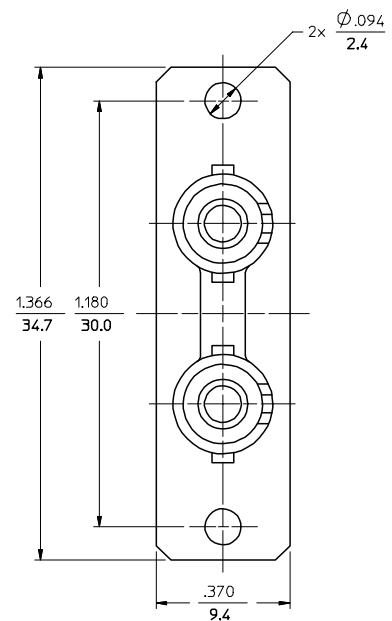


P/N OF ADAPTER	MATERIAL OF SLEEVE	TYPE	COLOR
106166-1000	ZR	SINGLE MODE	BLUE
106167-1000	PHOSPHOR BRONZE		
106166-1010	ZR	MULTIMODE	BEIGE
106167-1010	PHOSPHOR BRONZE		
106166-1030	ZR	MULTIMODE	BLACK
106167-1030	PHOSPHOR BRONZE		



RECOMMENDED MOUNTING PATTERN



NOTE:  
DUST CAPS ARE NOT SHOWN BUT INCLUDED.

<b>ENTER DESCRIPTION</b> EC NO: MF2006-0237 DRAWN BY: JGUMIN CHKD: JGUMIN APPR: JGUMIN 2005/11/29 2005/11/29 2005/11/29	<b>QUALITY SYMBOLS</b>  	<b>GENERAL TOLERANCES (UNLESS SPECIFIED)</b>		<b>DIMENSION STYLE</b> IN/MM	<b>SCALE</b> 4:1	<b>DESIGN UNITS</b> INCH	<b>THIRD ANGLE PROJECTION</b>
		4 PLACES ± --- ± --- 3 PLACES ± --- ± --- 2 PLACES ± --- ± --- 1 PLACE ± --- ± ---	mm INCH DRAWN BY: RPACIFICI DATE: 2005/10/11 CHECKED BY: _____ DATE: _____	<b>TITLE</b> DUPLEX ADAPTER (SC-D/ST)			
		ANGULAR ±1/2°		APPROVED BY: _____ DATE: _____	<b>MOLEX INCORPORATED</b>		
		<b>DRAFT WHERE APPLICABLE MUST REMAIN WITHIN DIMENSIONS</b>		MATERIAL NO. _____ SIZE: C THIS DRAWING CONTAINS INFORMATION THAT IS PROPRIETARY TO MOLEX INCORPORATED AND SHOULD NOT BE USED WITHOUT WRITTEN PERMISSION	DOCUMENT NO. SD-10616X-10X0	SHEET NO. 1 OF 01	