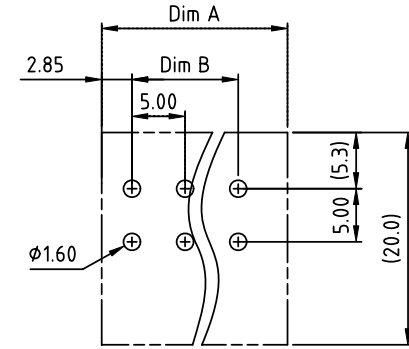
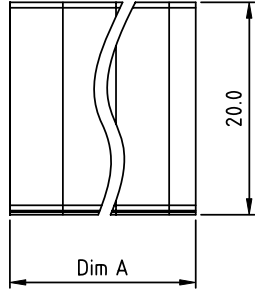
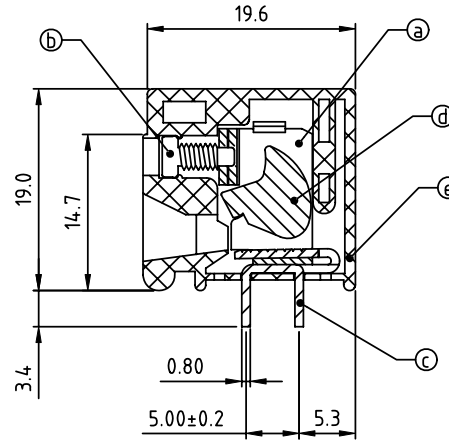
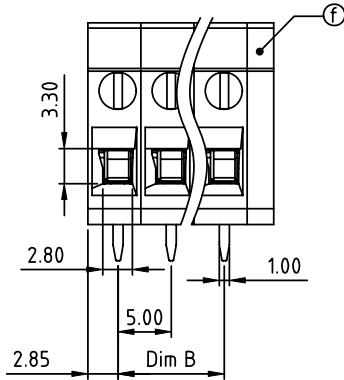


PRODUCT NUMBER	PITCH
TRxx05x100J0G	5.00 mm



RECOMMENDED P.C.B LAYOUT
TOP VIEW



Material

- Item (a) Terminal body(metal housing): steel stamping Zinc plating
- Item (b) Terminal screw: Steel Zinc plating "-" slot type
- Item (c) Contacts: Brass, Tin plated
- Item (d) Firm wire chunk: steel Zinc plating
- Item (e) Insulator housing: Thermoplastic (UL94V-0)
- Item (f) Insulator cover: Thermoplastic (UL94V-0)

Electrical cULus

- Voltage rating: 300VAC
- Current rating: 20A
- Wire range:
 - Solid wire(AWG): 12-22
 - Stranded wire(AWG): 12-22
- Torque(Lb-In): 2.4
- Screw: M2.5
- Wire strip length: 10-11mm
- Withstanding Voltage: 1.6KV
- Operating temperature: -40°C to +115°C
- Soldering temperature: 260°C±5°C/5 Sec
- Safety Approval: cULus

N = Number of poles
Dim A=N×5.0+2.5
Dim B=(N-1)×5.0

PART NO.: TR xx 0 5 x 1 00J0 G

		Body Color	RoHS compliant
End stackable	0	Black (RAL9005)	(lead<4%)
No. of poles	2	Red (RAL3001/D)	In copper Alloy
01	1 pole	3 Orange(RAL2011/P)	
02	2 poles	4 Yellow(RAL1018/A)	
...	...	5 Green(RAL6018/T)	
24	24 poles	6 Blue (RAL5015/A)	
		8 Grey(RAL7035/D)	
		9 White(RAL1102)	
		C Green(RAL6018/U)	

Poles	Tolerance
1p	±0.10
2p-6p	±0.20
7p-12p	±0.25
13p-18p	±0.35
19p-24p	±0.40

mat'l. code				surface ASME Y14.5 ✓		tolerance ASME Y14.5		projection		product family	
litr ecn no dr date				tolerances unless otherwise specified		X.±0.5		MM		TERMINAL BLOCK	
				angles		X.X±0.3				title	
				X°±1'		X.XX±0.1		scale		TERMINAL BLOCK	
				dr		EVIN ZHONG 040114				WIRE PROTECTOR,180D WIRE INLET	
				enr		EVIN ZHONG 040114				sheet 1 of 1 size	
				chr		HANKE FENG 040114				TRxx05x100J0G A4	
				appd		SHI JUN 040114				CUSTOMER Drawing	
sheet index		revision sheet		A							