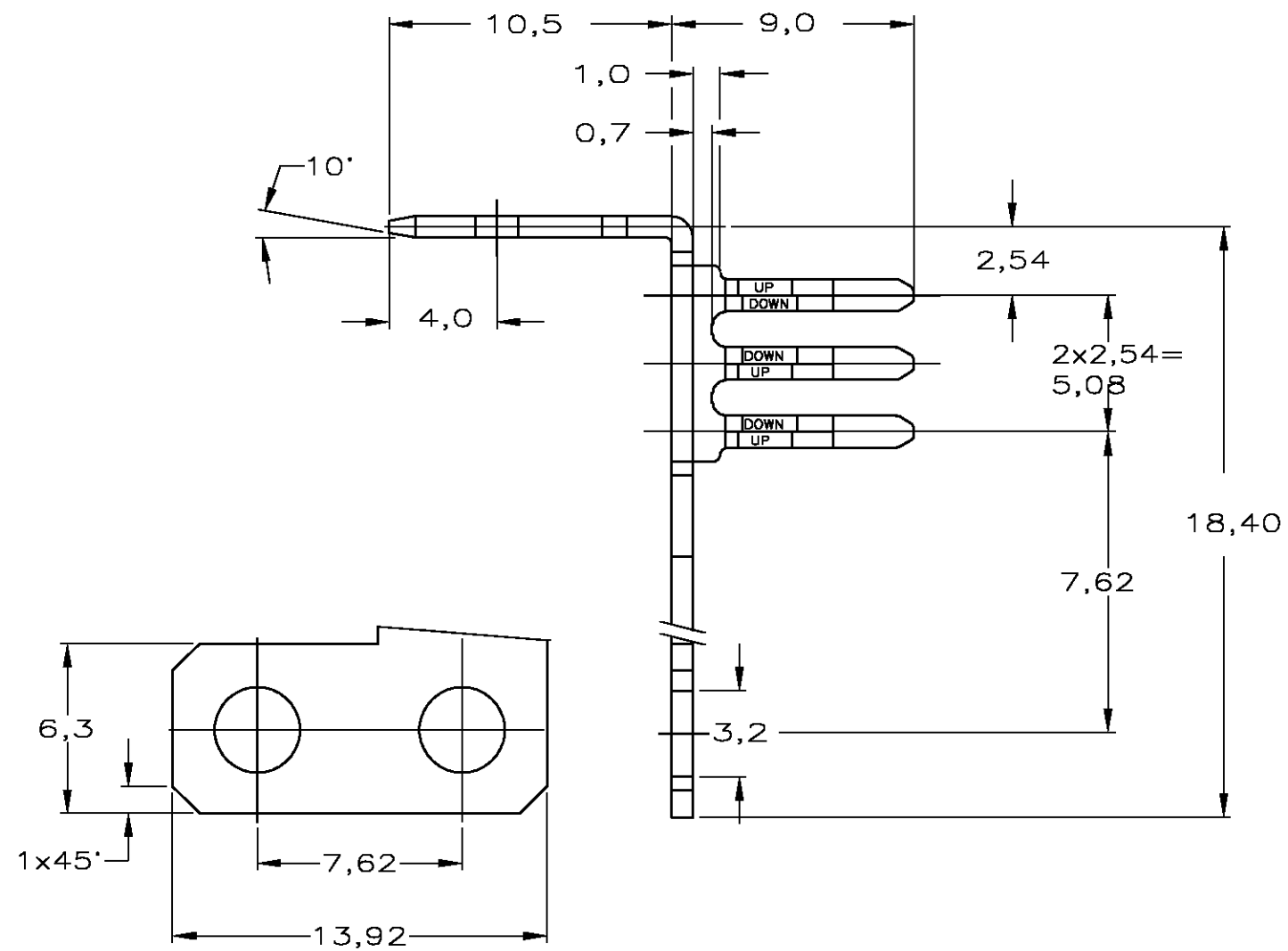


THIS DRAWING IS UNPUBLISHED. RELEASED FOR PUBLICATION  
 © COPYRIGHT BY TYCO ELECTRONICS CORPORATION. ALL RIGHTS RESERVED.

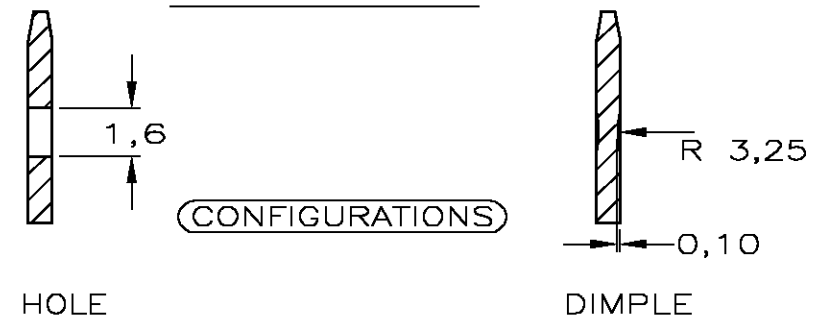
LOC	DIST	REVISIONS					
		P	LTR	DESCRIPTION	DATE	DWN	APVD
H	-		D	ECR-05-006211	13JUL05	CJF	JB



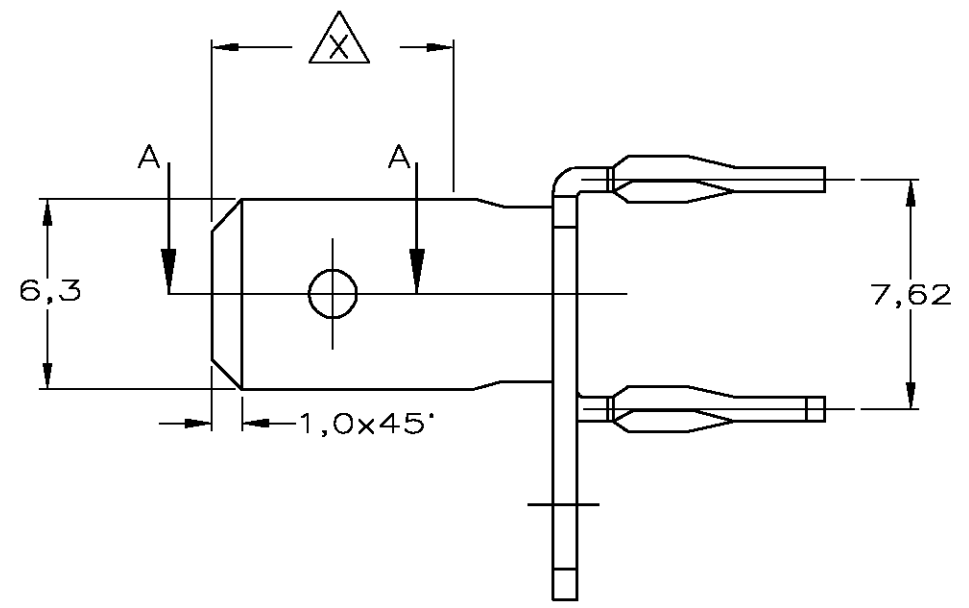
NOTES:

- ① PHOSPHORBRONZE.
- ② PLATING : AREA ③ Sn PLATE TO ASTM B 545. NI UNDERCOAT TO ASTM B 571 ALL OVER
- ③ PLATING : Sn PLATE TO ASTM B 545 AND NI UNDERCOAT TO ASTM B 571 ALL OVER
- ④ QUANTITY PER PACKAGE 2000 PCS.

SECTION A-A



CONFIGURATION	FINISH	MATERIAL	PARTNUMBER
DIMPLE	④②	①	1-215511-2
HOLE	②	①	215511-7
HOLE	③	①	215511-6
-			-
DIMPLE	③	①	215511-3
DIMPLE	②	①	215511-2



THIS DRAWING IS A CONTROLLED DOCUMENT.		DWN S.Meeuwen 15JAN93	Tyco Electronics Corporation s-Hertogenbosch, Nederland,	
DIMENSIONS: MM		CHK R.v.Lokven 22JAN93		
TOLERANCES UNLESS OTHERWISE SPECIFIED:		APVD L.v.Soest 26JAN93	NAME 6 POS. POWER LINKING TERMINAL WITH ACTION PIN (LEFT HANDED VERSION)	
0 PLC ±- 1 PLC ±- 2 PLC ±- 3 PLC ±- 4 PLC ±- ANGLES ±-		PRODUCT SPEC 108-19059	SIZE A3	CAGE CODE 00779
MATERIAL		APPLICATION SPEC	DRAWING NO C-215511	
FINISH		WEIGHT	RESTRICTED TO	
-		-	-	
CUSTOMER DRAWING			SCALE 4:1	SHEET 1 OF 1
			REV D	