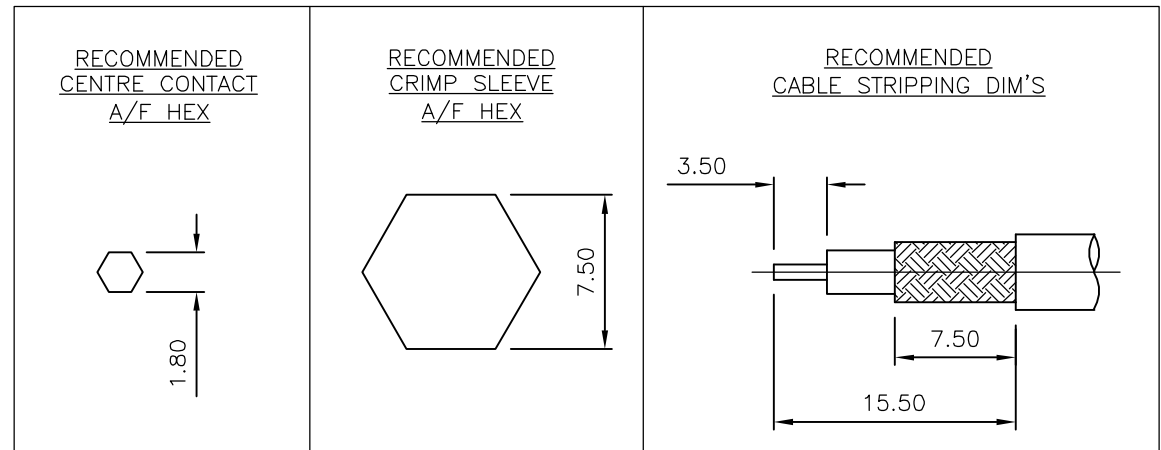
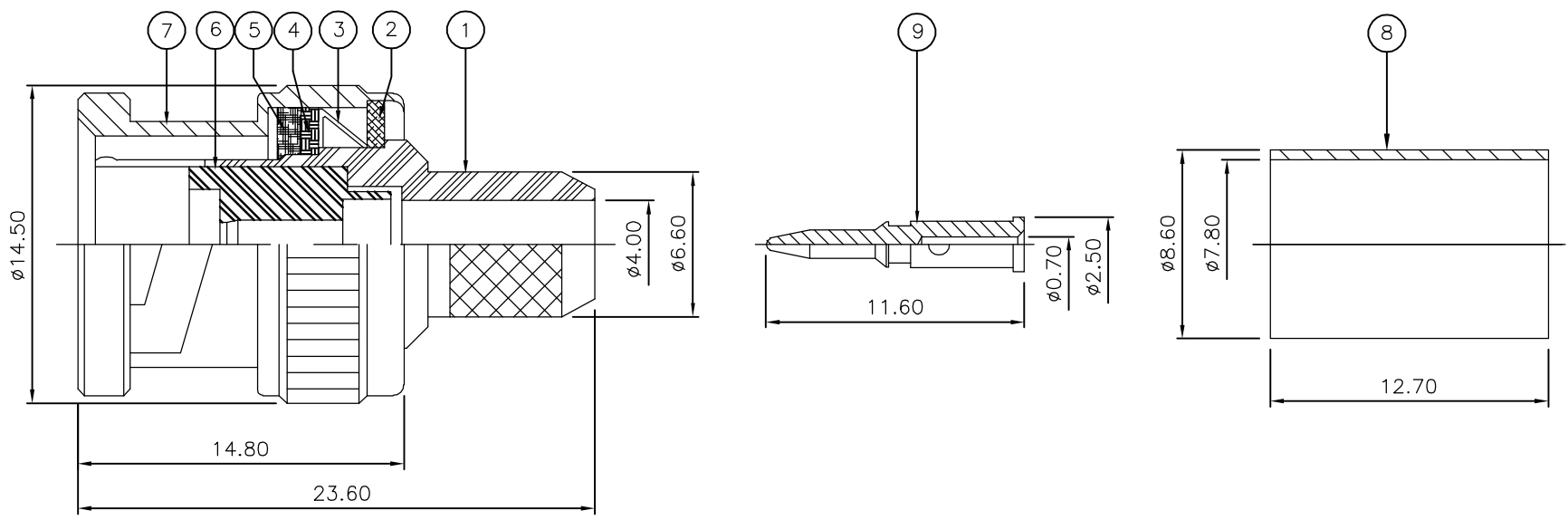


THIS DRAWING IS UNPUBLISHED. RELEASED FOR PUBLICATION JUNE ,2006.
 © COPYRIGHT 2006 BY TYCO ELECTRONICS CORPORATION. ALL RIGHTS RESERVED.

| LOC | DIST | REVISIONS | | | | | |
|-----|------|-----------|-----|---------------|---------|-----|------|
| E | B | P | LTR | DESCRIPTION | DATE | DWN | APVD |
| | | B | | ECR-06-015596 | 28JUN06 | JMS | FWK |

- NOTES:**
- 1 PACK IN ACCORDANCE WITH AMP SPEC 107-3275
 - 2 100 TRAY PACK IN ACCORDANCE WITH AMP SPEC 107-3275
 - 3 Au PLATING
 - 4 Ni PLATING
 - 5 THIS ITEM MUST BE WHITE
 - 6 HAND TOOL : 9-1478240-0
 - 7 DIE SET : 9-1478247-0
 - 8 ELECTRICAL CHARACTERISTICS
 FREQUENCY RANGE: DC - 2 GHz
 NOMINAL IMPEDANCE: 75 Ohm

 INSULATION RESISTANCE: 5000 MOhm
 WORKING VOLTAGE: 500 Volts RMS at Sea Level
 DIELECTRIC WITHSTAND VOLTAGE: 1500 Volts RMS Max
 CONTACT RESISTANCE:
 CENTRE CONTACT: 1.50 mOhm Max
 OUTER CONTACT: 0.20 mOhm Max
 VSWR @ 2GHz: 1.20:1 Max
 INSERTION LOSS dB @ x 2 GHz: 0.20 Max
 - 9 MECHANICAL CHARACTERISTICS
 COUPLING RETENTION FORCE: 445N Min
 CABLE RETENTION FORCE: 170N Min
 DURABILITY: 500 Cycles Min
 - 10 ENVIRONMENTAL CHARACTERISTICS
 OPERATING TEMPERATURE: -65 to +165 DegC
 - 11 FOR TECHNICAL DATA REFER TO YOUR LOCAL TYCO ELECTRONICS SALES OFFICE
 - 12 ALL DIMENSIONS ARE NOMINAL FOR REFERENCE ONLY UNLESS OTHERWISE STATED



| QTY | UNIT | MATERIAL | DESCRIPTION | ITEM |
|------|------|-----------------|----------------|------|
| 1 | 1 | BRASS | CONTACT | 9 |
| 1 | 1 | BRASS | FERRULE | 8 |
| 1 | 1 | BRASS | SHELL | 7 |
| 1 | 1 | PTFE | INSULATION | 6 |
| 1 | 1 | SILICONE RUBBER | GASKET | 5 |
| 1 | 1 | BRASS | RETAINING RING | 4 |
| 1 | 1 | SPRING STEEL | SPRING | 3 |
| 1 | 1 | BRASS | WASHER | 2 |
| 1 | 1 | BRASS | BODY | 1 |
| 6--0 | 1--0 | MATERIAL | DESCRIPTION | ITEM |

| | | | | |
|---|--|-----------------------------|---|-----------------|
| THIS DRAWING IS A CONTROLLED DOCUMENT. | | DWN J.SANDWELL 28JUN06 | Tyco Electronics Corporation Bideford EX39 4HE | |
| DIMENSIONS: mm | | CHK S.PARLOW 28JUN06 | | |
| TOLERANCES UNLESS OTHERWISE SPECIFIED: | | APVD F.WHEELER-KING 28JUN06 | NAME BNC STRAIGHT PLUG CRIMP 75 OHM BT2003 | |
| 0 PLC ± - 1 PLC ± - 2 PLC ± - 3 PLC ± - 4 PLC ± - ANGLES ± - FINISH - | | PRODUCT SPEC - | RESTRICTED TO - | |
| MATERIAL SEE TABLE | | APPLICATION SPEC 411-3247 | SIZE A3 | CAGE CODE 00779 |
| | | WEIGHT - | DRAWING NO C-1478106 | |
| | | CUSTOMER DRAWING | SCALE NTS | SHEET 1 OF 1 |
| | | | REV B | |