

PRODUCT NUMBER
5 5 1 0 2 - X X X - X X - X X X X

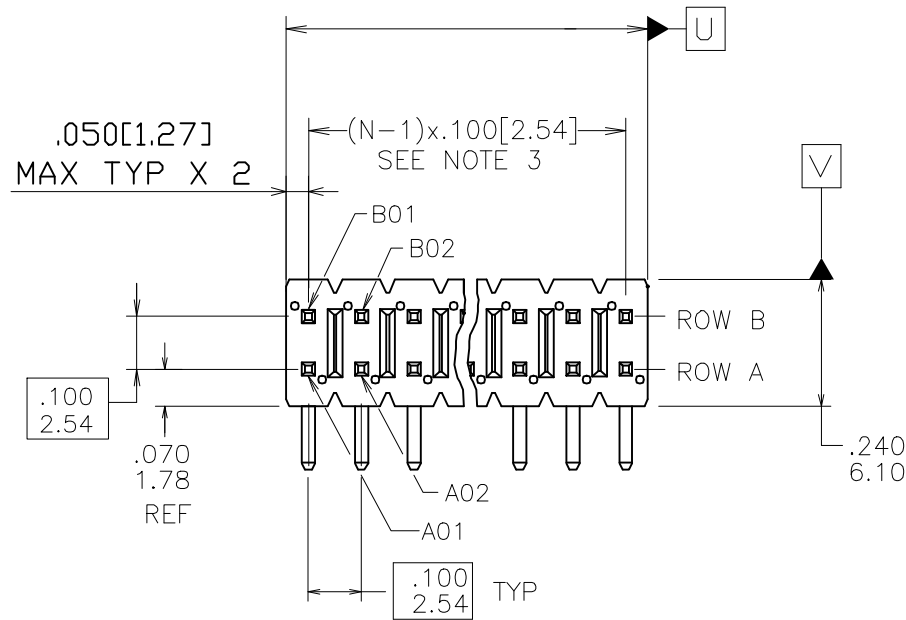
PLATING
S=15μ[0.38μm]GOLD ON CONTACT AREA
100μ[2.54μm]TIN ON TAIL (NOTE 14)
G=30μ[0.76μm]GOLD ON CONTACT AREA
100μ[2.54μm]TIN ON TAIL (NOTE 14)
T=100μ[2.54μm]TIN ON CONTACT AREA AND ON TAIL (SEE NOTE 9 & 13)
F=2μ[0.05μm]GOLD ON CONTACT AREA AND ON TAIL

PIN STYLE	POST	TAIL
11	0.230/5.84	0.090/2.29
17	0.230/5.84	0.120/3.05
12	0.230/5.84	0.190/4.83
34	0.318/8.08	0.100/2.54
35	0.318/8.08	0.120/3.05
36	0.318/8.08	0.200/5.08

POSITIONS PER ROW
01 TO 36

RETENTION
R= RETENTIVE LEG
NOTE 6

POLARIZATION
NOTE 7



LEAD FREE PRODUCT NUMBER
5 5 1 0 2 - X X X X X X X X X X LF

PLATING
S=15μ[0.38μm]GOLD ON CONTACT AREA
100μ[2.54μm]TIN ON TAIL (NOTE 14)
G=30μ[0.76μm]GOLD ON CONTACT AREA
100μ[2.54μm]TIN ON TAIL (NOTE 14)
T=100μ[2.54μm]TIN ON CONTACT AREA AND ON TAIL (NOTE 9 & 13)
F=2μ[0.05μm]GOLD ON CONTACT AREA AND ON TAIL
9=1μ[0.03μm]GOLD ON CONTACT AREA AND ON TAIL (FULL PLATING)

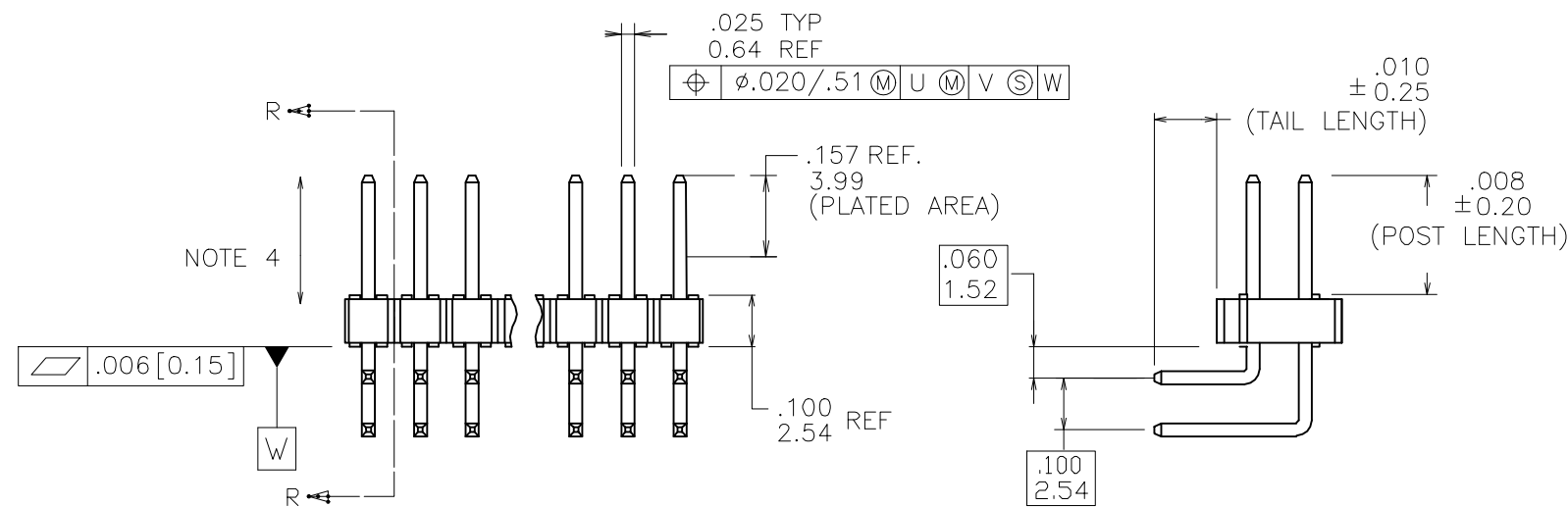
PIN STYLE	POST	TAIL
11	0.230/5.84	0.090/2.29
17	0.230/5.84	0.120/3.05
12	0.230/5.84	0.190/4.83
34	0.318/8.08	0.100/2.54
35	0.318/8.08	0.120/3.05
36	0.318/8.08	0.200/5.08
40	0.559/14.21	0.090/2.30

POSITIONS PER ROW
01 TO 36

PACKAGE:
SEE NOTES 5

RETENTION
R= RETENTIVE LEG
NOTE 6

POLARIZATION
NOTE 7



mat'l. code				surface ISO 1302 ✓		tolerance ISO 406 ISO 1101		projection INCH/MM		product family BERGSTIK			
tolerances unless otherwise specified				angles		linear		scale 1:1		title .100 SHROUNDED HDR D/R R/A THRU HOLE			
Itr	ecn no	dr	date	0°±2'		.XX±.01/.XX±0.3 .XXX±.005/.XX±0.13 .XXXX±.0020 .XXX±0.051		Amphenol FCi		dwg no 55102		sheet 1 of 2 size A3	
G	M06-0268	MHT	7/17/06	dr		D.INGRAM 05/20/99				type Product Customer		Drawing	
H	M06-0435	MHT	10/31/06	enr		H.SUNDY 07/21/99							
J	M08-0237	MHT	8/25/08	chr		H.SUNDY 07/21/99							
K	M08-0279	MHT	9/30/08	appd		H.SUNDY 07/21/99							
L	ELX-N-30083	MZ	05/04/18										
sheet index		revision sheet		L L									
		1 2											



B

Amphenol FCI



© 2016 AFCI



D

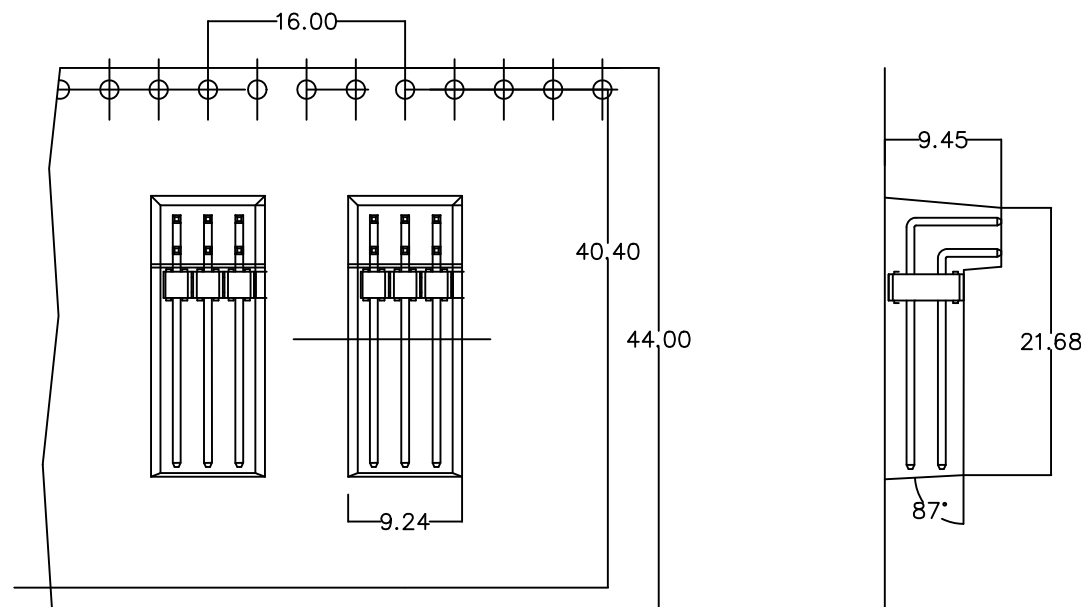
1

2 3

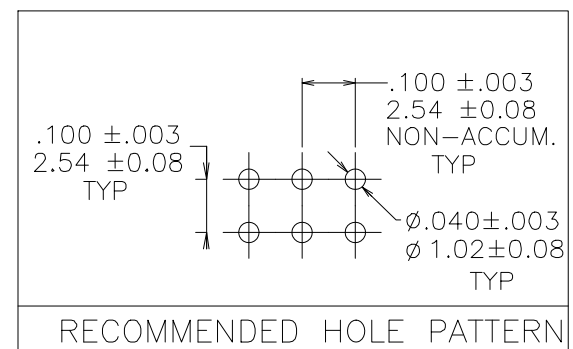
4

5

6



TAPE AND REEL FOR 2X3



NOTES:

- ① HOUSING MAT'L: HIGH TEMPERATURE THERMOPLASTIC.
FLAME RETARDANT PER UL 94V-0
COLOR: BLACK
OR
MINERAL FILLED LCP
FLAME RETARDANT PER UL 94V-0
COLOR: BLACK
- ② PIN MATERIAL: PHOSPHOR-BRONZE
- ③ TO DETERMINE DIMENSIONS:
N = NUMBER OF POSITIONS PER ROW.
EXAMPLE: 10 POS., N x .100[2.54]=1.00[25.40].
- ④ 2LBS/0.9KG MIN. PIN RETENTION IN EITHER DIRECTION
5. PACKAGE:
NONE = IN POLY BAGS
T = TRAY WITHOUT PICK UP CAP
A = TAPE AND REEL WITHOUT PICK UP CAP
- ⑥ RETENTIVE LEG APPLICABLE TO TAIL LENGTH .120/3.05 ONLY.
5LB/2.3KG MAX INSERTION FORCE AND .25LB./1KG MIN RETENTION FORCE
PER RETENTIVE PIN USING .062/1.57 THICK CIRCUIT BOARD AND RECOMMENDED
HOLE PATTERN. RETENTIVE LOCATION AT THE DISCRETION OF THE MANUFACTURER.
OMIT FROM PRODUCT NUMBER IF THIS FEATURE IS NOT APPLICABLE.
- ⑦ FOR POLARIZATION SPECIFY POSITION NUMBER(i.e.. A03=ROW A POS 3)
TO OMIT PIN.
OMIT FROM PRODUCT NUMBER IF THIS FEATURE IS NOT APPLICABLE.
8. UNDERPLATING: 50μ"/1.27μm Ni.
9. PIN TIPS ON Sn PLATED PRODUCT MAY HAVE BARE METAL ON
TWO SIDES, BOTH ENDS.
- ⑩ PART NUMBERS WITH "LF" SUFFIX AT THE END ARE LEAD FREE.
- ⑪ THIS PRODUCT MEETS EUROPEAN UNION DIRECTIVES AND OTHER
COUNTRY REGULATION AS DESCRIBED IN GS-22-008.
12. THE HOUSING WILL WITHSTAND EXPOSURE TO 260°C PEAK TEMPERATURE
FOR 20 SECONDS IN A CONVECTION, INFRA-RED OR VAPOR PHASE REFLOW
OVEN. SEE APPLICATION NOTES/PROCEDURES IF THEY ARE AVAILABLE OR
FOR 15 SECONDS IN A WAVE SOLDER APPLICATION WITH A 1.5mm
MINIMUM THICK CIRCUIT BOARD.
- ⑬ "THIS PRODUCT HAS 100% PURE TIN PLATING IN THE INTERFACE AND
HAS NOT BEEN TESTED FOR WHISKER GROWTH IN ALL INTERCONNECT
ENVIRONMENTS."
- ⑭ PLATING OPTIONS:
MAY BE EITHER GOLD OR GXT PLATED AT MANUFACTURER'S OPTION.

mat'l. code				surface ISO 1302 ✓		tolerance ISO 406 ISO 1101		projection 		product family BERGSTIK			
ltr				ecn no		dr		date		title .100 SHROUNDED HDR D/R R/A THRU HOLE			
L										tolerances unless otherwise specified		INCH/MM	
				angles		linear		.XX±.01/.X±0.3		scale 1:1			
				0°±2'				.XXX±.005/.XX±0.13					
				dr		D.INGRAM		05/20/99		Amphenol FCI		sheet 2 of 2 size	
				enr		H.SUNDY		07/21/99		55102		A3	
				chr		H.SUNDY		07/21/99		type Product Customer Drawing			
				appd		H.SUNDY		07/21/99					
sheet index		revision sheet											

1

2

5

6