

# LTM2885

## Isolated RS485/RS422 μModule Transceiver + Power

### DESCRIPTION

Demonstration circuit 1794A is an isolated RS485/RS422 μModule® transceiver + power featuring the LTM®2885. The demo circuit is a 6500V<sub>RMS</sub> galvanically isolated RS485/RS422 transceiver interface. The demo circuit features an EMI optimized circuit configuration and printed circuit board layout. The demo circuit operates from a single external supply on V<sub>CC</sub>. The part generates the output

voltage V<sub>CC2</sub> and communicates all necessary signaling across the isolation barrier using LTC's isolator μModule technology.

**Design files for this circuit board are available at <http://www.linear.com/demo>**

LT, LT, LTC, LTM, μModule, Linear Technology and the Linear logo are registered trademarks of Linear Technology Corporation. All other trademarks are the property of their respective owners.

### PERFORMANCE SUMMARY (T<sub>A</sub> = 25°C)

SYMBOL	PARAMETER	CONDITIONS	MIN	TYP	MAX	UNITS
V <sub>CC</sub>	Input Supply Range	LTM2885	4.5	5	5.5	V
V <sub>CC2</sub>	Output Voltage	I <sub>LOAD</sub> = 0mA to 100mA, DE = 0V	4.75	5		V
f <sub>MAX</sub>	Maximum Data rate	S <sub>LO</sub> = V <sub>CC2</sub>	20			Mbps
V <sub>IORM</sub>	Maximum Working Insulation Voltage	GND to GND2	890 600			V <sub>DC</sub> V <sub>RMS</sub>
	Common Mode Transient Immunity		50			kV/μs

### OPERATING PRINCIPLES

The LTM2885 contains an isolated DC/DC converter, delivering power to V<sub>CC2</sub> at 5V from the input supply, V<sub>CC</sub>. Isolation is maintained by the separation of GND and GND2, which significant operating voltages and transients can exist without affecting the operation of the LTM2885. The logic side ON pin enables or shuts down the LTM2885. RS485/RS422 signaling is controlled by the logic inputs DE, DI, TE and RE. Connection to the transceiver pins (A, B, Y and Z) allows full- or half-duplex operation on the isolated side of the demo circuit. A full-/half-duplex jumper is included on the demo circuit to ease setting the system configuration. The S<sub>LO</sub> pin configures the slew rate of the driver output pins Y and Z.

Data is transmitted out the driver pins Y and Z from the input DI with DE set on. Data is received through the difference in A and B to the output RO with RE set on.

The LTM2885 μModule and demo circuit has been designed and optimized for low RF emissions. To this end some features of the LTM2885 are not available for evaluation on the demo circuit, primarily to minimize the size of the demo board and to limit the number of I/O connections. The logic supply voltage, V<sub>L</sub>, is tied to V<sub>CC</sub> on the demo circuit. All control signals are selectable by jumper programming only, including ON, RE, DE, TE and S<sub>LO</sub>. The spare logic channel D<sub>IN</sub> to D<sub>OUT</sub> is not available.

## OPERATING PRINCIPLES

EMI mitigation techniques used include the following:

1. Board/ground plane size has been minimized. This reduces the dipole antenna formed between the logic side and isolated side ground planes.
2. Top signal routing and ground floods have been optimized to reduce signal loops, minimizing differential mode radiation.
3. A high ESR tantalum capacitor is included to minimize board resonances and prevent voltage spikes due to hot plugging of the input supply voltage.

4. Optional discrete bridge capacitors (C3, C4) can be mounted between GND2 and GND. The discrete capacitors provide additional attenuation at frequencies below 300MHz as shown in Figure 1. Capacitors are safety rated type Y1, manufactured by Vishay, part # VY115K31Y5SQ63V0.

EMI performance is shown in Figure 1, measured using a Gigahertz Transverse Electromagnetic (GTEM) cell and method detailed in IEC 61000-4-20, "Testing and Measurement Techniques—Emission and Immunity Testing in Transverse Electromagnetic Waveguides".

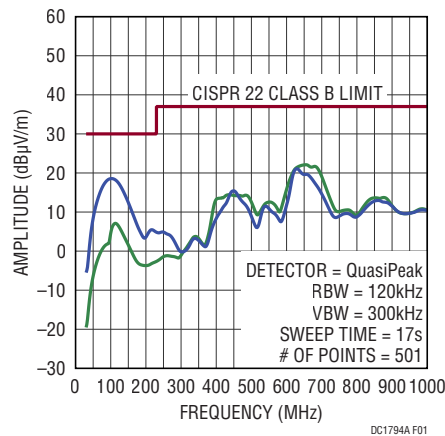


Figure 1. DC1794A Radiated Emissions

## QUICK START PROCEDURE

Demonstration circuit 1794A is easy to set up and evaluate the performance of the LTM2885. Refer to Figure 2 for proper measurement equipment setup and follow the procedure below.

NOTE: When measuring the input or output voltage ripple or high speed signals, care must be taken to avoid a long ground lead on the oscilloscope probe.

1. Install jumpers in following positions: (all are default except JP5 and JP6)

JP1 (TE pin) place in ON position

JP2 (DE pin) place in ON position

JP3 ( $\overline{RE}$  pin) place in ON position

JP4 (ON pin) place in ON position

JP5 ( $\overline{SLO}$  pin) place in OFF position

JP6 (Duplex header) place in HALF DUPLEX position

2. With power off, connect the input power supply to  $V_{CC}$  and GND turrets.

3. Turn on the power at the input.

NOTE: Make sure that the input voltage does not exceed 6V.

4. Check for the proper output voltage.  $V_{CC2} = 5V$ , this can be measured between probe points  $V_{CC2}$  and GND2.

5. Once the proper output voltage is established, connect a function generator to TXD turret and set to square wave with a low of 0V, high =  $V_{CC}$ . Set frequency to 10MHz (20Mbps). Enable output of function generator.

6. Connect oscilloscope to RXD turret and observe 10MHz waveform. This demonstration shows data that is transmitted from TXD, loops back through half-duplex connection, and out of RXD.

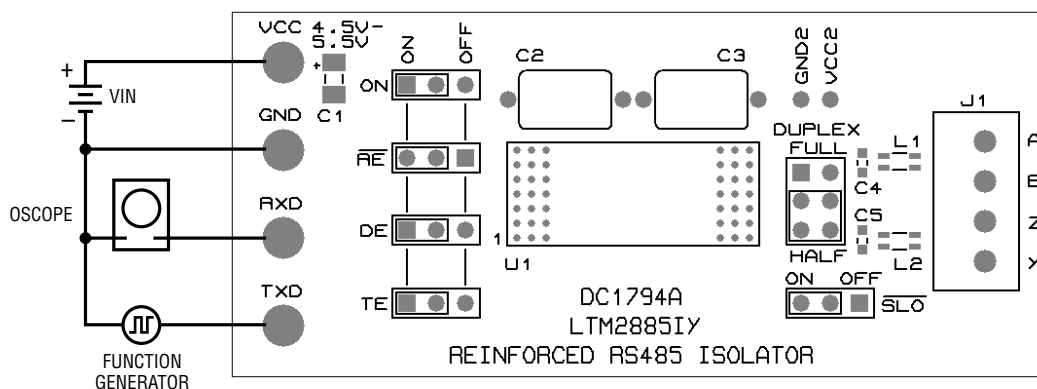
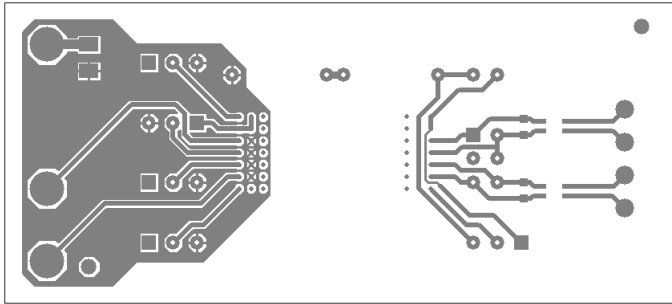


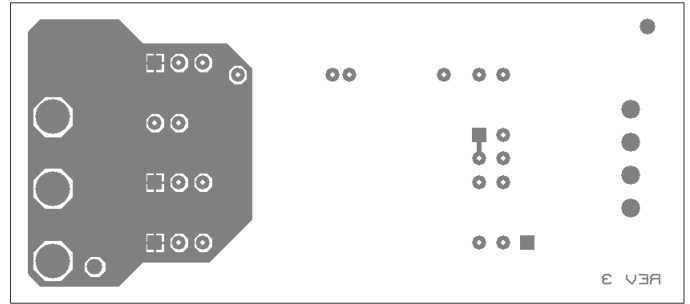
Figure 2. Demo Board Setup

# DEMO MANUAL DC1794A

## PCB LAYOUT



Layer 1. Top Layer

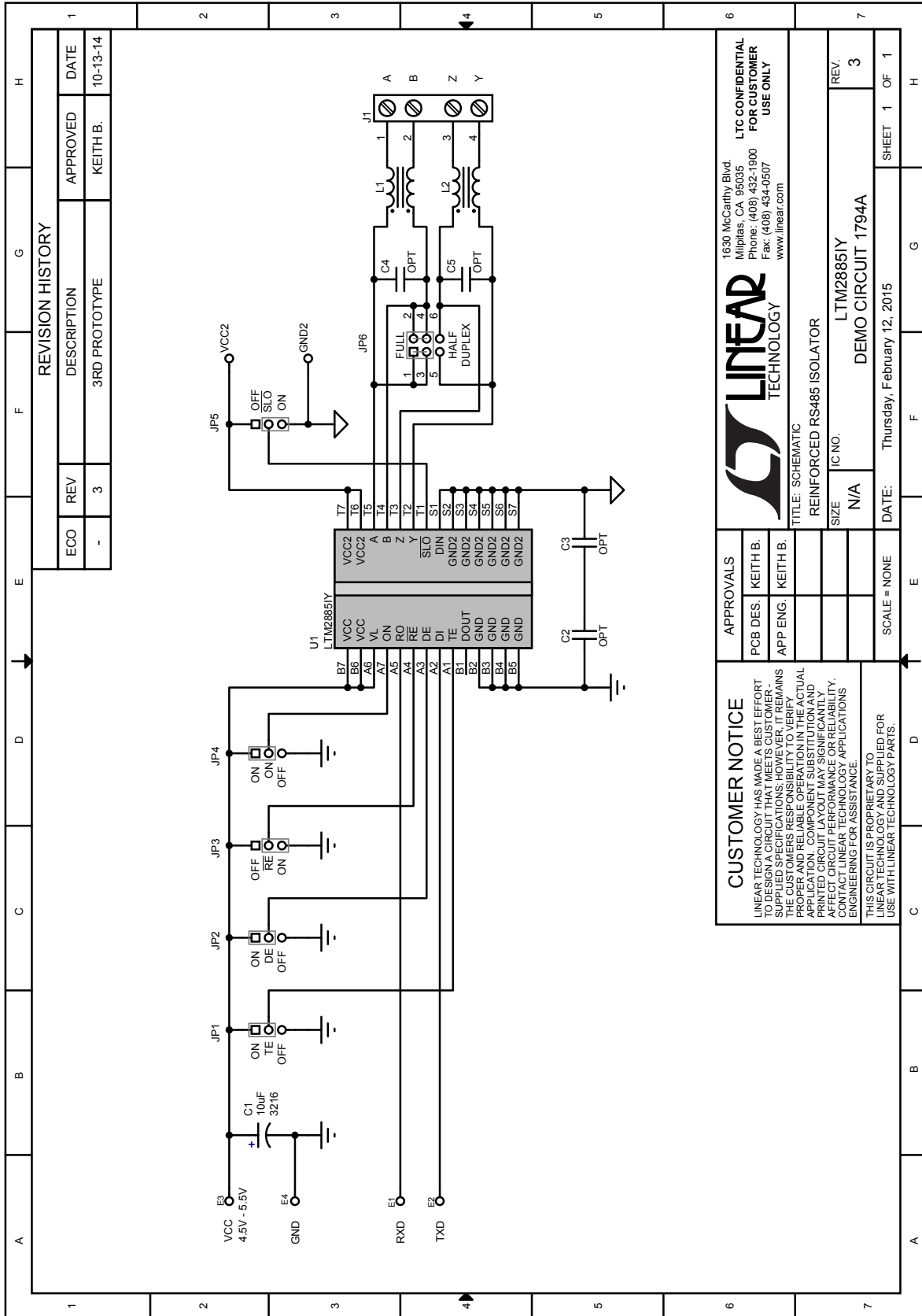


Layer 2. Bottom Layer

## PARTS LIST

ITEM	QTY	REFERENCE	PART DESCRIPTION	MANUFACTURER/PART NUMBER
<b>Required Circuit Components</b>				
1	1	U1	I.C., LTM2885IY	LINEAR LTM2885IY#PBF
<b>Hardware/Components (For Demo Board Only)</b>				
2	1	C1	CAP, TANT 10 $\mu$ F 16V 10% 3216	AVX TAJA106K016RNJ
3	4	E1-4	TURRET	MILL-MAX 2501-2-00-80-00-00-07-0
4	2	J1	TERMINAL BLOCK, 2 POSITION, 3.5mm, HEADER	WÜRTH 691214110002
5	5	JP1-5	HEADER, 1 $\times$ 3 0.1"	WÜRTH 61300311121
6	1	JP6	HEADER, 2 $\times$ 3 0.1"	WÜRTH 61300621121
7	5	JP1-5	SHUNT, 1 $\times$ 2 0.1", BLACK	WÜRTH 60900213421
8	1	JP6	SHUNT, 2 $\times$ 2 0.1", BLACK	WÜRTH 60910213421
9	2	L1-2	COMMON MODE CHOKE	WÜRTH 744232222
10	0	C2-3	OPTIONAL, CAP, X1Y1, 150pF 10% 760VAC	VISHAY VY1151K31Y5SQ63V0
11	0	C4-5	OPTIONAL	

SCHEMATIC DIAGRAM



**LINTECH**  
TECHNOLOGY

1630 McCarthy Blvd.  
Milpitas, CA 95035  
Phone: (408) 432-1900  
Fax: (408) 434-0507  
www.linear.com

LTC CONFIDENTIAL  
FOR CUSTOMER  
USE ONLY

---

TITLE: SCHEMATIC

REINFORCED RS485 ISOLATOR

IC NO. LTM2885Y

SIZE N/A

DATE: Thursday, February 12, 2015

SCALE = NONE

DATE: Thursday, February 12, 2015

SHEET 1 OF 1

**CUSTOMER NOTICE**

LINTECH TECHNOLOGY HAS MADE A BEST EFFORT TO DESIGN A CIRCUIT THAT MEETS CUSTOMER-SUPPLIED SPECIFICATIONS. HOWEVER, IT REMAINS THE CUSTOMER'S RESPONSIBILITY TO VERIFY THAT THE SUPPLIED CIRCUIT LAYOUT MEETS THE ACTUAL APPLICATION. COMPONENT SUBSTITUTION AND AFFECTED CIRCUIT PERFORMANCE OR RELIABILITY. CONTACT LINTECH TECHNOLOGY APPLICATIONS ENGINEERING FOR ASSISTANCE.

THIS CIRCUIT IS PROPRIETARY TO LINTECH TECHNOLOGY AND SUPPLIED FOR USE WITH LINTECH TECHNOLOGY PARTS.

APPROVALS	
PCB DES.	KEITH B.
APP ENG.	KEITH B.



# DEMO MANUAL DC1794A

---

## DEMONSTRATION BOARD IMPORTANT NOTICE

Linear Technology Corporation (LTC) provides the enclosed product(s) under the following **AS IS** conditions:

This demonstration board (DEMO BOARD) kit being sold or provided by Linear Technology is intended for use for **ENGINEERING DEVELOPMENT OR EVALUATION PURPOSES ONLY** and is not provided by LTC for commercial use. As such, the DEMO BOARD herein may not be complete in terms of required design-, marketing-, and/or manufacturing-related protective considerations, including but not limited to product safety measures typically found in finished commercial goods. As a prototype, this product does not fall within the scope of the European Union directive on electromagnetic compatibility and therefore may or may not meet the technical requirements of the directive, or other regulations.

If this evaluation kit does not meet the specifications recited in the DEMO BOARD manual the kit may be returned within 30 days from the date of delivery for a full refund. **THE FOREGOING WARRANTY IS THE EXCLUSIVE WARRANTY MADE BY THE SELLER TO BUYER AND IS IN LIEU OF ALL OTHER WARRANTIES, EXPRESSED, IMPLIED, OR STATUTORY, INCLUDING ANY WARRANTY OF MERCHANTABILITY OR FITNESS FOR ANY PARTICULAR PURPOSE. EXCEPT TO THE EXTENT OF THIS INDEMNITY, NEITHER PARTY SHALL BE LIABLE TO THE OTHER FOR ANY INDIRECT, SPECIAL, INCIDENTAL, OR CONSEQUENTIAL DAMAGES.**

The user assumes all responsibility and liability for proper and safe handling of the goods. Further, the user releases LTC from all claims arising from the handling or use of the goods. Due to the open construction of the product, it is the user's responsibility to take any and all appropriate precautions with regard to electrostatic discharge. Also be aware that the products herein may not be regulatory compliant or agency certified (FCC, UL, CE, etc.).

No License is granted under any patent right or other intellectual property whatsoever. **LTC assumes no liability for applications assistance, customer product design, software performance, or infringement of patents or any other intellectual property rights of any kind.**

LTC currently services a variety of customers for products around the world, and therefore this transaction **is not exclusive**.

**Please read the DEMO BOARD manual prior to handling the product.** Persons handling this product must have electronics training and observe good laboratory practice standards. **Common sense is encouraged.**

This notice contains important safety information about temperatures and voltages. For further safety concerns, please contact a LTC application engineer.

Mailing Address:

Linear Technology  
1630 McCarthy Blvd.  
Milpitas, CA 95035

Copyright © 2004, Linear Technology Corporation