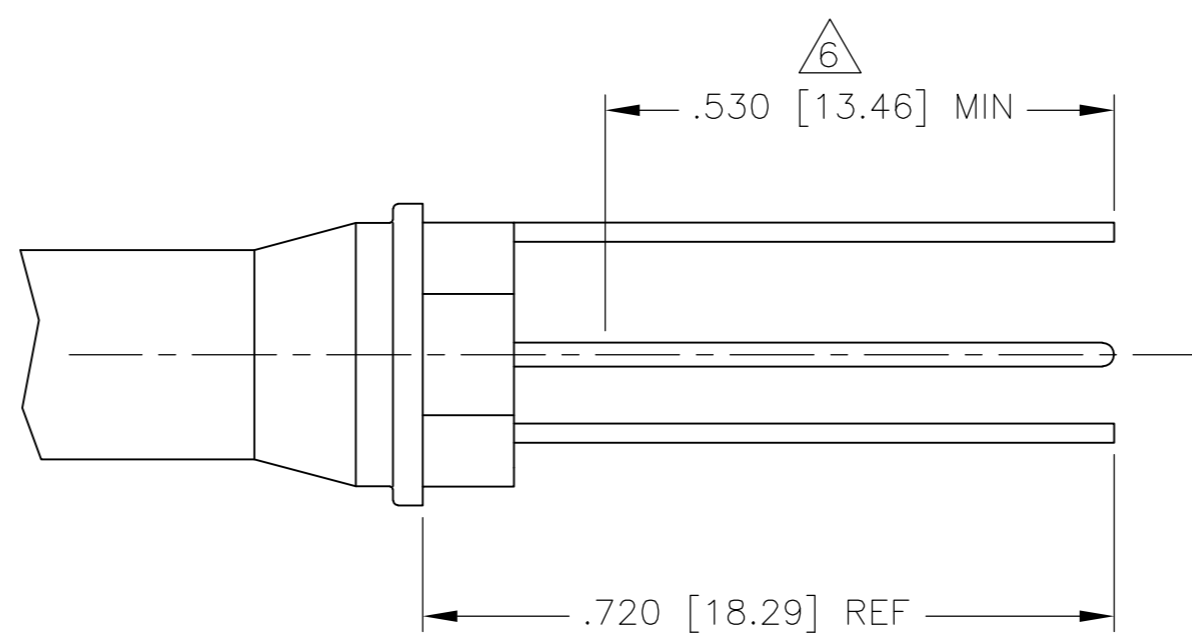
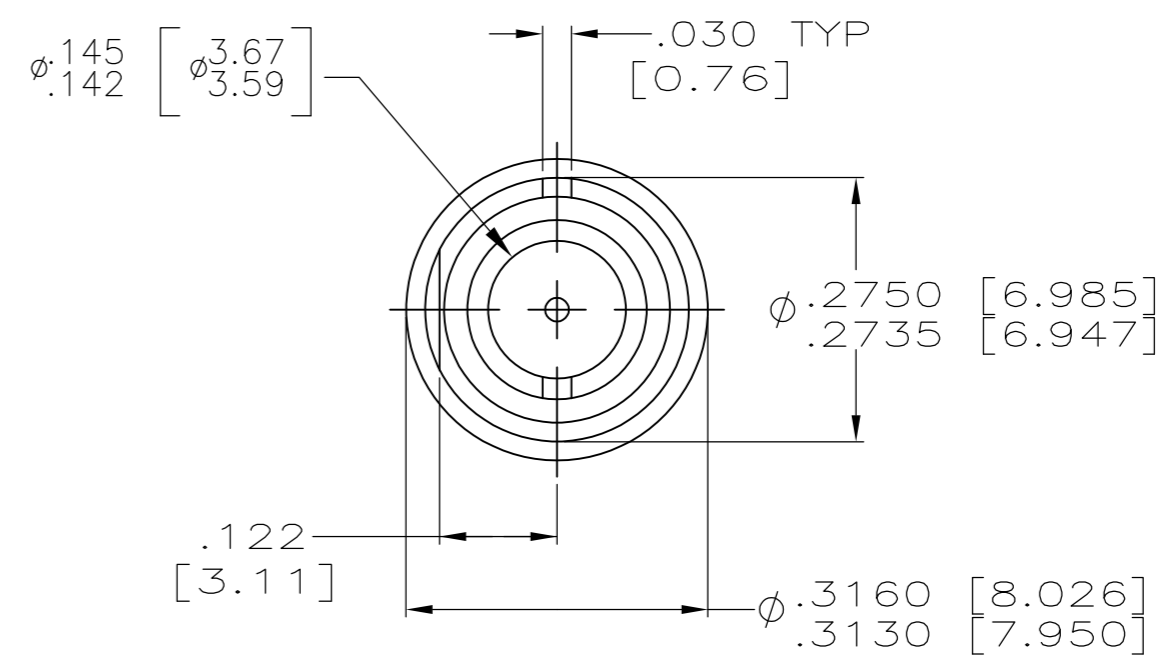
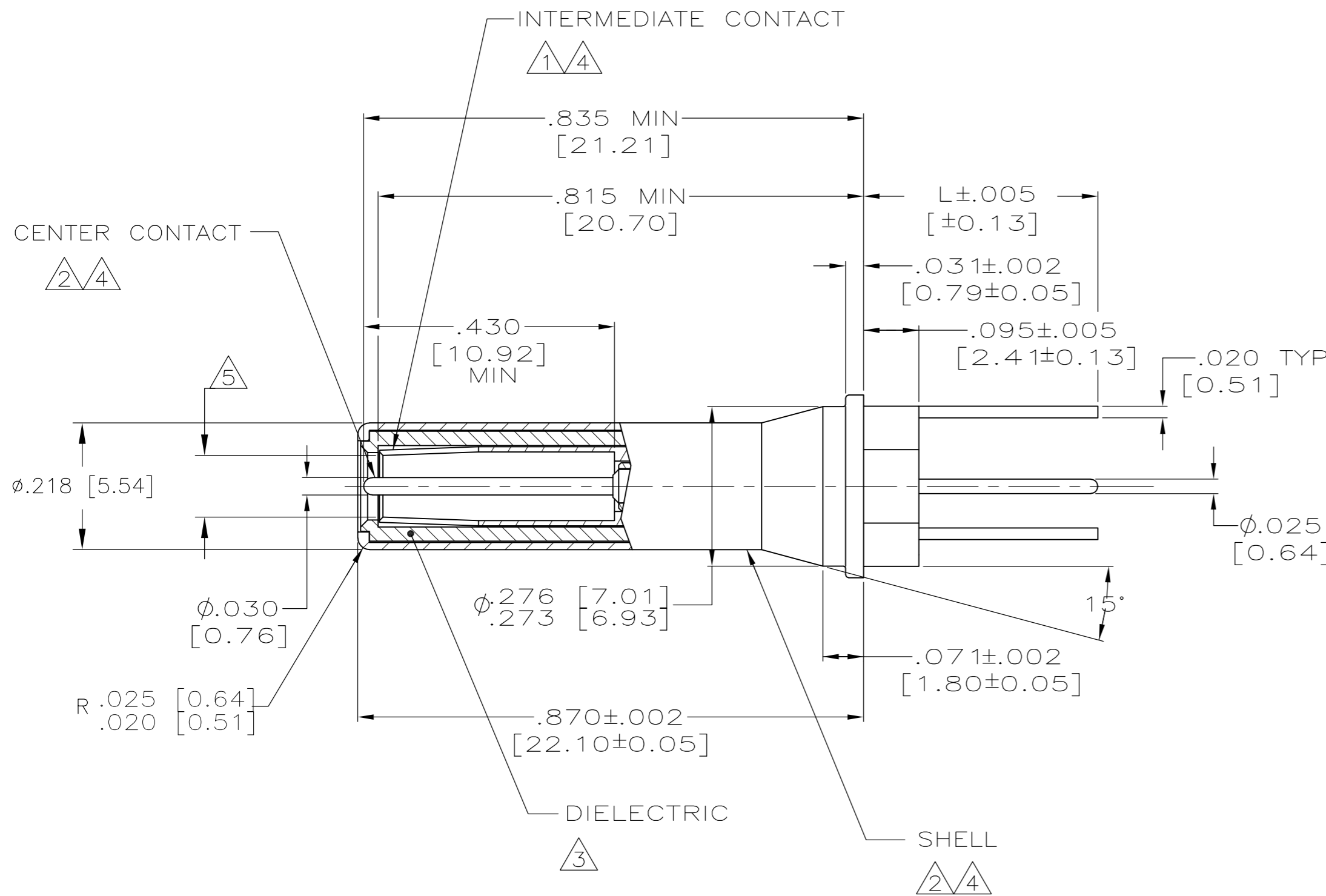


THIS DRAWING IS UNPUBLISHED. RELEASED FOR PUBLICATION
 © COPYRIGHT - By - ALL RIGHTS RESERVED.

| LOC | | DIST | | REVISIONS | | | |
|-----|-----|-----------------------|--------|-----------|------|--|--|
| P | LTR | DESCRIPTION | DATE | DWN | APVD | | |
| - | - | REV PER ECO 15-011359 | 8-5-15 | CT | RG | | |



VIEW FOR 448541-4 ONLY

- 1 BERYLLIUM COPPER PER ASTM-B-196
- 2 BRASS PER ASTM-B-16.
- 3 PTFE PER ASTM-D-1710.
- 4 GOLD PLATE PER MIL-G-45204, TYPE 1, GRADE C, CLASS 1 OVER NICKEL PLATE PER QQ-N-290, CLASS 2, .000050 [0.00127] THK.
- 5 SOCKET MATES WITH .113±.001 [2.87±0.03] PIN
MAX ENGAGEMENT FORCE: 20 OUNCES
MIN SEPARATION FORCE: 3 OUNCES
- 6 SOLDER DIPPED PER TE SPEC. 112-23-4.

| | | |
|----------|--------------|-------------|
| OBSOLETE | .720 [18.29] | 448541-4 |
| | -- | 448541-3 |
| | .525 [13.33] | 448541-2 |
| | .402 [10.21] | 448541-1 |
| | DIM L | PART NUMBER |

| | | | | |
|--|---------------------|-------------------------|--|-----------------|
| THIS DRAWING IS A CONTROLLED DOCUMENT. | | DWN C.C.THOMAS 10-13-92 | STE TE Connectivity | |
| DIMENSIONS: INCHES [mm] | | CHK C.SHELLY 10-15-92 | | |
| TOLERANCES UNLESS OTHERWISE SPECIFIED: | | APVD C.SHELLY 10-15-92 | NAME PIN, TRIAX PCB, SIZE 8, ARINC-TRIAx | |
| 0 PLC ± - | 1 PLC ± - | PRODUCT SPEC | SIZE A2 | CAGE CODE 00779 |
| 2 PLC ± - | 3 PLC ± .001 [0.03] | APPLICATION SPEC | DRAWING NO C=448541 | RESTRICTED TO - |
| 4 PLC ± - | ANGLES ± 2° | WEIGHT - | SCALE 5:1 | SHEET 1 of 1 |
| MATERIAL 1 2 3 | FINISH 4 | CUSTOMER DRAWING | REV B | |