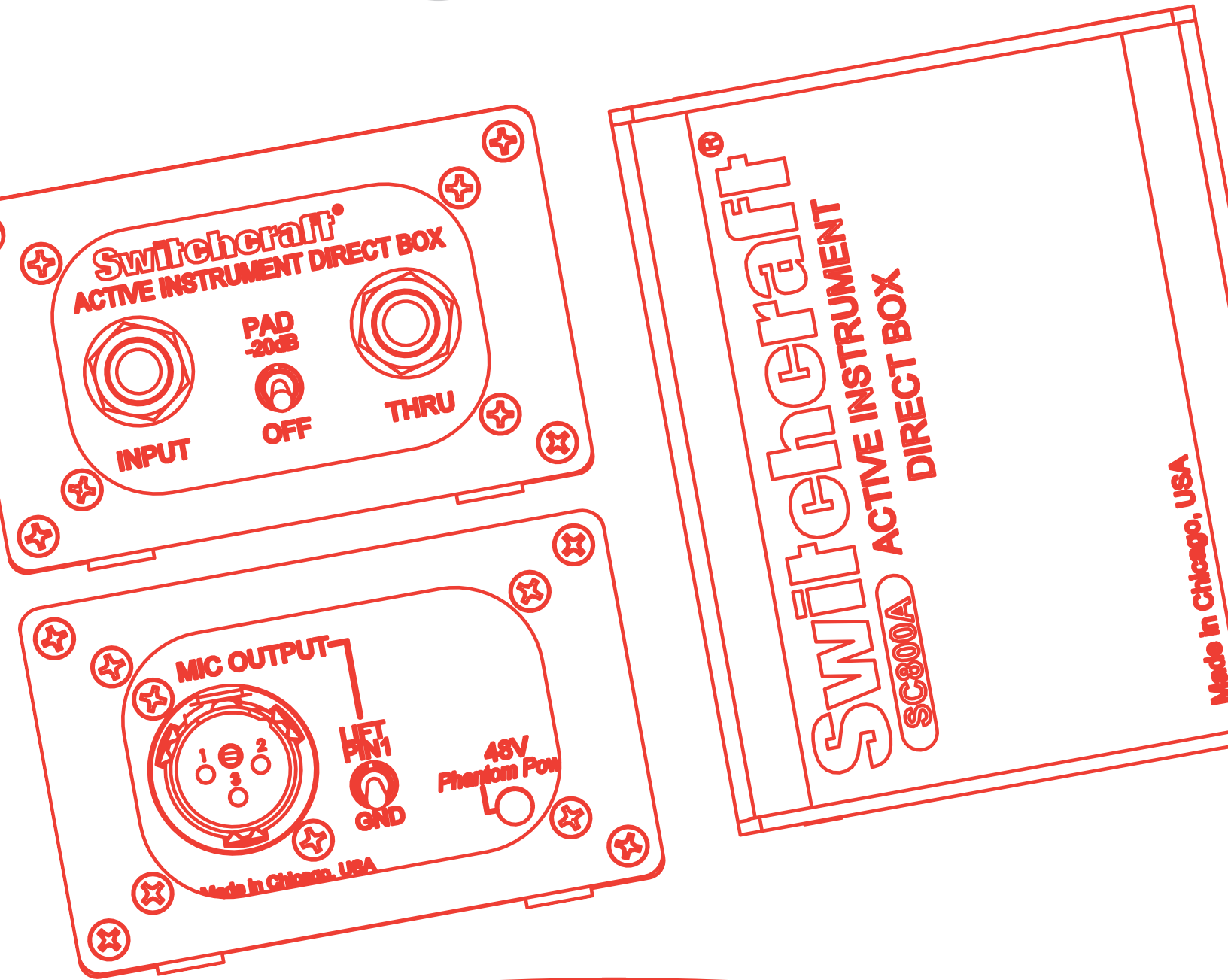




**Switchcraft®  
Pro Audio**



# SC800A ACTIVE INSTRUMENT DIRECT BOX

NPB | 609

# SC800A ACTIVE INSTRUMENT DIRECT BOX

NPB | 609

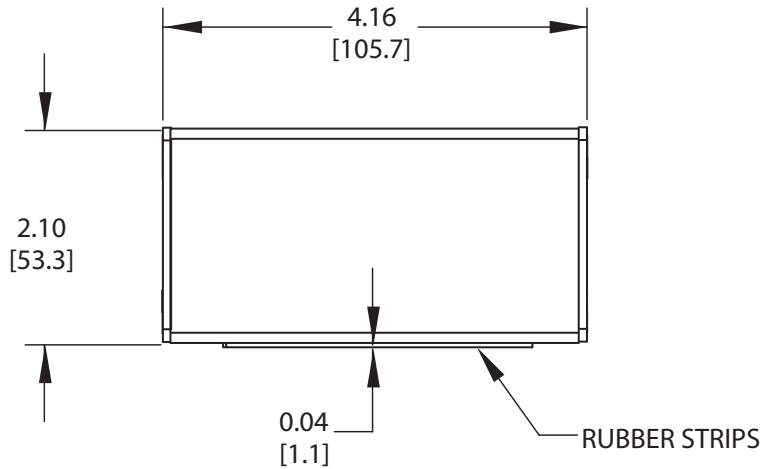
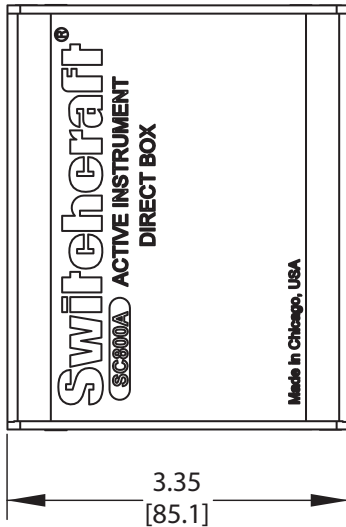


A 48V phantom powered instrument direct box designed to quietly preserve the tone of the world's finest musical instruments. The SC800A is ideal for converting the unbalanced outputs of passive musical instruments such as acoustic guitar and bass to balanced, mic level signals that can be connected to audio consoles and mic preamps. Precision engineered active circuitry provides extended reach and superior audio fidelity for professional audio engineers and musicians

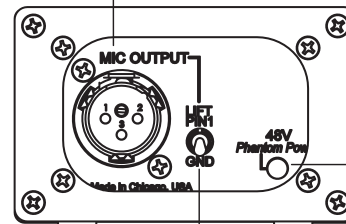
**SC800A** Active Instrument Direct Box

# SC800A ACTIVE INSTRUMENT DIRECT BOX

NPB | 609

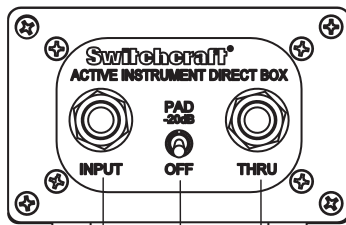


XLR MIC OUTPUT



PHANTOM POWER INDICATOR

GROUND LIFT TOGGLE SWITCH



1/4" INPUT JACK

1/4" THRU PUT JACK

-20dB PAD TOGGLE SWITCH

## CONTROLS:

INPUT: 1/4" Mono (TS)  
 THRU PUT: 1/4" Mono (TS)  
 OUTPUT: 3- Pin XLR  
 PAD: 20dB Input Pad  
 GRND LIFT: XLR Pin 1 Lift

## NOTES:

1. THE XLR CONNECTOR IS WIRED PIN-1 GRND, PIN-2 HOT AND PIN-3 COLD
2. MATERIALS:  
 HOUSING AND END PANELS: BLACK ANODIZED ALUMINUM  
 RECESSED COMPONENT PANELS: SATIN BLUE PEWTER ANODIZED
3. LASER ETCHED ARTWORK WITH WHITE TEXT
4. THIS PRODUCT IS RoHS COMPLIANT.

# SC800A ACTIVE INSTRUMENT DIRECT BOX

NPB | 609

## AUDIO SPECIFICATIONS

PARAMETER	PERFORMANCE	CONDITIONS
Frequency Response	30Hz-30kHz	+/-0.3dB, ref 1kHz
Total Harmonic Distortion + Noise	<0.008% <0.04%	at 1kHz, +4dBu Input, 22kHz Bandwidth at 20Hz, +4dBu Input, 22kHz Bandwidth
Maximum Input Level	+12dBu +32dBu	at 20Hz with 1% THD+Noise with 20dB Pad engaged
Input Impedance	> 1M $\Omega$	at 1kHz
Output Impedance	<600 $\Omega$	at 1kHz
Common Mode Rejection Ratio (CMRR)	>86dB >65dB	at 60Hz, Input at 60Hz, Output
Deviation from Linear Phase	<16° <1° <-12°	at 20Hz at 1Khz at 20kHz
Voltage Gain	+3dB -17dB	+/-1dB +/-1dB with 20dB pad engaged
Pad Attenuation	20dB	+/-1dB